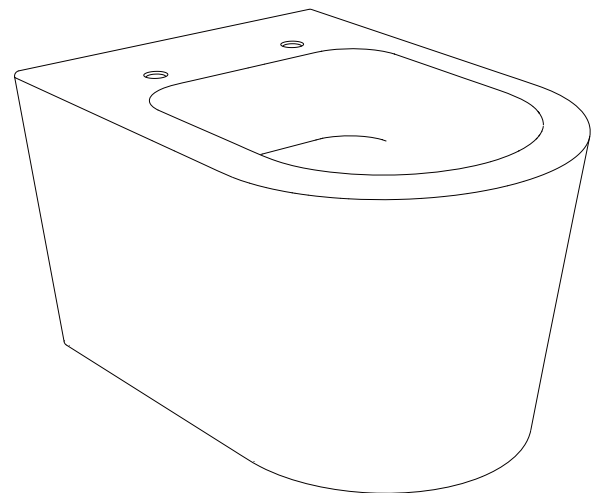
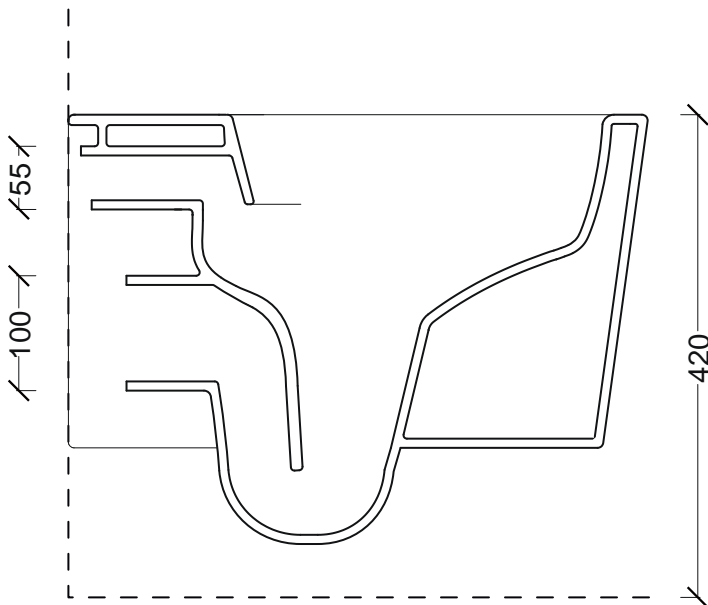
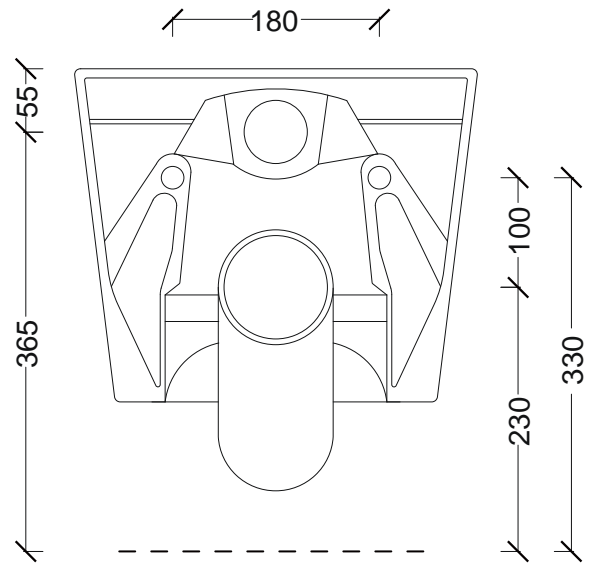
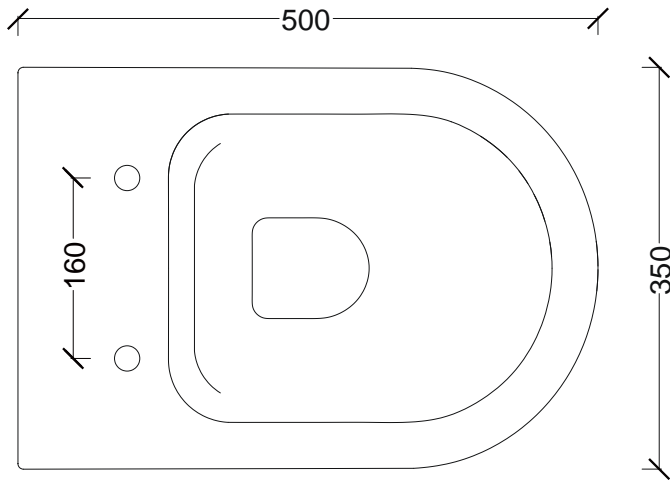


SERIES: FORM

OBJECT: VASO SOSPESO

CODE: 22300101



SERIES: FORM

OBJECT: BIDET SOSPESO

CODE: 22310101

