

Articolo / Article

COD.

Lavabo Spy 81x46 MONOFORO. Installazione ad appoggio e sospesa.
 Spy 81x46 washbasin SINGLE TAP HOLE. Countertop and wall hung installation.

Bianco Europa / Europa White 34340101

Colorato MONOFORO/ SINGLE TAP HOLE Coloured

Specificare il colore al momento dell'ordine

Specify the color when ordering 343401..

Lavabo Spy 81x46 SENZA FORO. Installazione ad appoggio e sospesa.
 Spy 81x46 washbasin NO TAP HOLE. Countertop and wall hung installation.

Bianco Europa / Europa White 34340101N

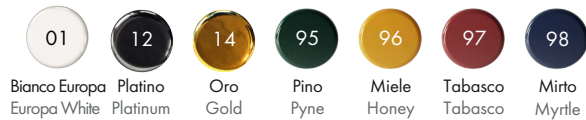
Colorato SENZA FORO/ NO TAP HOLE Coloured

Specificare il colore al momento dell'ordine

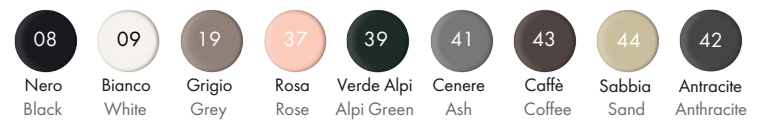
Specify the color when ordering 343401..N



Lucidi / Shiny



Opachi / Matt



cm 81x46xh13,5

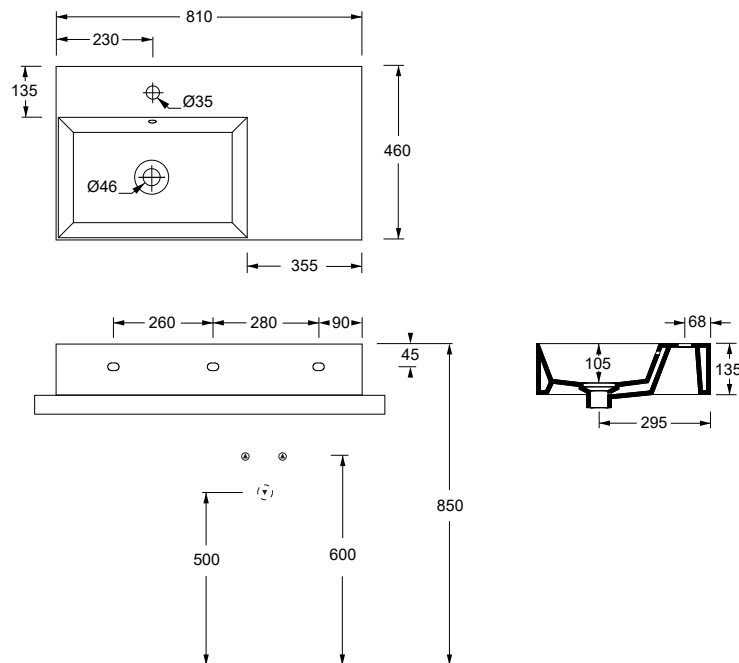
kg 27

Capienza bacino/Basin capacity

lt

pallet ita 16

pallet ex 32



TECNICAL SHEET n°: 72	DESIGNER: MASSIMILIANO BRACONI	CODE: 34340101	Alice Ceramica srl Via Sassacci, 17 - 01033 Civita Castellana (VT), Italy Tel [+39] 0761.598.328 [+39] 0761.513.252 Fax [+39]0761.540.352 www.aliceceramica.com - info@aliceceramica.it				
SHEET FORMAT: A4	ISO	REVISION: 00				SCALE: 1:20	DATE: 06/03/2023
REGULATION: EN 14688 / EN 31 / Dop- 14688*		Pg: 1/2					
All the measurements respect the tollerances provided by the Alice Ceramica srl.							

* Regulations here shown are exclusively referred to ceramic items



Accessori / Accesories

COD.



Piletta in ceramica scarico libero
Ceramic free flow drain

PILO06

PILO08



Piletta Up&Down
Up&Down drain



Fissaggio per lavabo sospeso
Fixing screw for wall hung Washbasin

FIX01



Sifone tondo in ottone finitura cromo
Round brass siphon chrome finish

COD.

SIF01



Sifone tondo in ottone finitura nero matt
Round brass siphon black matt finish

SIF01N



Porta salvietta finitura cromo
Towel holder chrome finish

PA80H



Porta salvietta finitura nero matt
Towel holder black matt finish

PA80HN

TECHNICAL SHEET n°: 72	DESIGNER: MASSIMILIANO BRACONI	CODE: 34340101	Alice Ceramica srl Via Sassacci, 17 - 01033 Civita Castellana (VT), Italy Tel [+39] 0761.598.328 [+39] 0761.513.252 Fax [+39] 0761.540.352 www.aliceceramica.com - info@aliceceramica.it				
SHEET FORMAT: A4	ISO	REVISION: 00				SCALE: 1:20	DATE: 06/03/2023
REGULATION:	EN 14688 / EN 31 / Dop- 14688*					Pg: 2/2	
All the measurements respect the tollerances provided by the Alice Ceramica srl.							

* Regulations here shown are exclusively referred to ceramic items

