

MBB 65



Mobile BUILD a terra finitura cemento
BUILD floor standing cabinet cement finish

codice
code

MBB 65 S

Mobile BUILD a terra finitura olmo bianco
BUILD floor standing cabinet white elm finish

MBB 65 B

Mobile BUILD a terra finitura olmo naturale
BUILD floor standing cabinet natural elm finish

MBB 65 N

Mobile BUILD a terra finitura cemento
BUILD floor standing cabinet a terra cement finish

MBB 65 S

Mobile BUILD a terra finitura olmo bianco
BUILD floor standing cabinet white elm finish

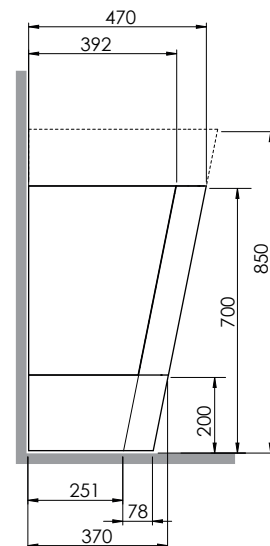
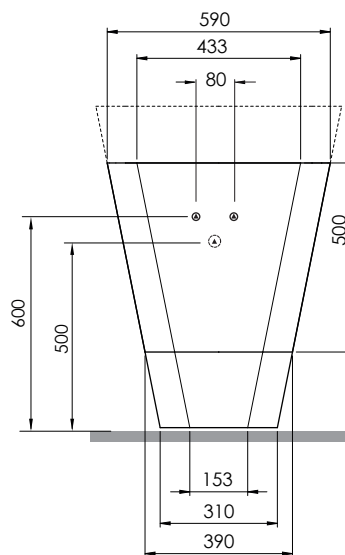
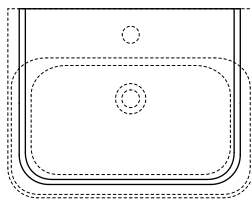
MBB 65 B

Mobile BUILD a terra finitura olmo naturale
BUILD floor standing cabinet natural elm finish

MBB 65 N

Cm59X47XH70

kg



scala/scale 1:20 dimensioni/dimensions in mm

Gamma di colori disponibile per MOBILE
Color range available for FURNITURE



TECHNICAL SHEET n°: 01	DESIGNER: OFFICINA AZZURRA	CODE: MBB 65	Azzurra sanitari in ceramica S.p.a. via Civita Castellana snc 01030 Castel S.Elia (VT) - ITALY Tel.+39.0761 518155 Fax.+39.0761 514560		
SHEET FORMAT: A4	ISO	REVISION: 01	SCALE: 1:20	DATE: 06/11/2019	
REGULATIONS All the measurements respect the tolerances provided by the "AZZURRA QUALITY GUIDELINES".					