

NUVCTT000480 scarico traslato/adjustable flush system

codice  
code



Vaso Nuvola H48 con scarico traslato a pavimento.  
Nuvola floor standing Wc H48 with adjustable flush system.

biancolucido/shiny white

NUVCTT000480BI

CM 55x35xh48

plt italy pz.12 - plt export pcs.20

kg 32

Tecnologie/technologies:



scarico traslato



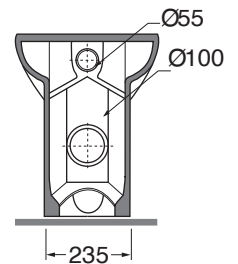
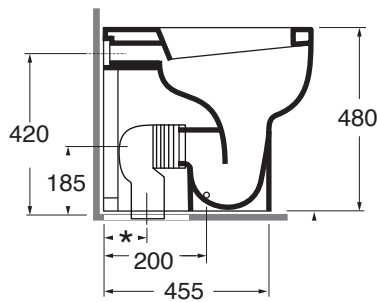
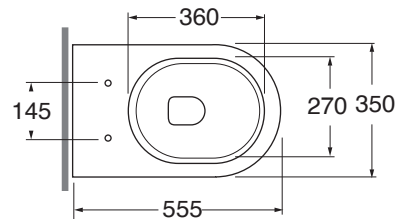
watersaving

\*\*

RDP
mm 435 o mm 405

\*

CVT	CVTK	CVTR
180mm	da 60mm a 150 mm	da 160mm a 210 mm



scala/scale 1:20 dimensioni/dimensions in mm

Ceramica



bianco lucido  
shiny white

Complementi/complements:

Codice  
code



Sedile termoisolante frizionato per vaso 55cm a sgancio rapido  
Wrapover thermosetting soft close cover-seat for cm55 with quick release

bianco lucido/ shiny white

NUV 1818/F

cotone/cotton

NUV 1818 M/F



Sedile termoisolante avvolgente con chiusura frizionata  
Wrapover thermosetting soft close

bianco lucido/ shiny white

NUV 1800/F

cotone/cotton

NUV 1800 M/F



Sedile termoisolante avvolgente per vaso  
Wrapover thermosetting cover-seat

bianco lucido/ shiny white

NUV 1800



Curva tecnica per wc TRASLATO con distanza parete  
\* (solo per questa collezione da 60 a 150 mm)  
Technical bend for adjustable flush system wc with wall distance ranging from 60 mm to 130 mm  
(\*only for this collection)

CVTK



Curva tecnica per wc TRASLATO con distanza parete  
\* (solo per questa collezione da 160 a 210 mm)  
Technical bend for adjustable flush system wc with wall distance ranging from 160 mm to 210 mm  
(\*only for this collection)

CVTR



Raccordo eccentrico per entrata acqua  
\* (solo per questa collezione H435 o H405mm)  
Eccentric joint for mm H380 or H350mm  
waterinlet (\*only for this collection)

RDP



Curva tecnica per vaso normale e monoblocco  
Technical bend for standing and close coupled wc

CVT

TECHNICAL SHEET n°: <b>01</b>	DESIGNER: <b>ANGELETTI RUZZA</b>	CODE: <b>NUVCTT000480</b>	Azzurra sanitari in ceramica S.p.a. via Civita Castellana snc 01030 Castel S.Elia (VT) - ITALY Tel.+39.0761 518155 Fax.+39.0761 514560	
SHEET FORMAT: <b>A4</b>	ISO	REVISION: <b>04</b>	SCALE: <b>1:20</b>	DATE: <b>15/11/2022</b>
REGULATIONS: <b>CE EN 997 / EN33 / Dop-997 *</b>				
All the measurements respect the tolerances provided by the "AZZURRA QUALITY GUIDELINES".				



\* Regulations here shown are exclusively referred to ceramic items