

NUVCTTE00000

Easy Clean terra traslato / Easy Clean adjustable flush system

codice  
code



Vaso Nuvola a terra Easy clean scarico traslato.  
Nuvola floor standing Wc Easy clean with adjustable flush system.

bianc lucido/shiny white

NUVCTTE00000BI

CM 55x35h42

plf italy pz.12 - plf export pcs.20

kg 27

Tecnologie/technologies:



watersaving

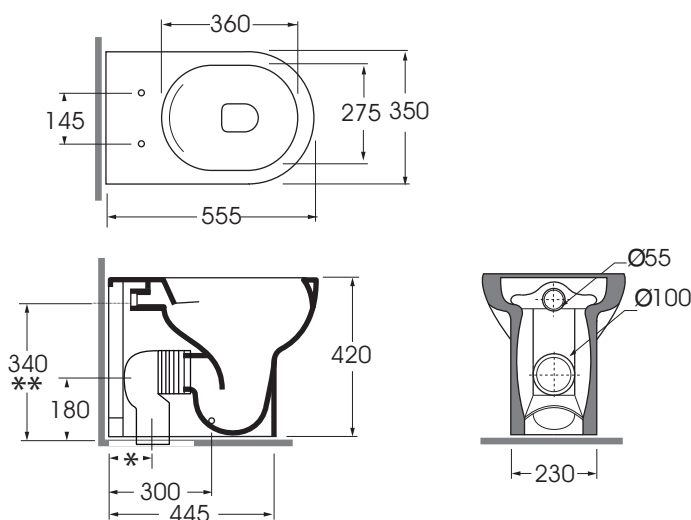


easyclean



scarico traslato

**	RDP		
	mm 355		
	o mm 325		
*	CVT	CVTK	CVTR
	180mm	da 60mm a 150 mm	da 160mm a 220 mm



scala/scale 1:20 dimensioni/dimensions in mm

Ceramica

BI

bianco lucido  
shiny white

Complementi/complements:

Codice  
code



Sedile termoindurente frizionato per vaso 55cm a sgancio rapido  
Wrapover thermosetting soft close cover-seat for cm55 with quick release

bianco lucido/ shiny white

NUV 1818/F



cotone/cotton

NUV 1818 M/F



Sedile termoindurente avvolgente con chiusura frizionata  
Wrapover thermosetting soft close

bianco lucido/ shiny white

NUV 1800/F

cotone/cotton

NUV 1800 M/F



Sedile termoindurente avvolgente per vaso  
Wrapover thermosetting cover-seat

bianco lucido/ shiny white

NUV 1800



Curva tecnica per wc TRASLATO con distanza parete  
\* (solo per questa collezione da 60 a 130 mm)

Technical bend for adjustable flush system wc with wall distance ranging from 60 mm to 130 mm  
(\* only for this collection)

CVTK



Curva tecnica per wc TRASLATO con distanza parete  
\* (solo per questa collezione da 170 a 210 mm)

Technical bend for adjustable flush system wc with wall distance ranging from 160 mm to 200 mm  
(\* only for this collection)

CVTR



Raccordo eccentrico per entrata acqua  
\* (solo per questa collezione H380 o H350mm)  
Eccentric joint for mm H380 or H350mm  
waterinlet (\* only for this collection)

RDP



Curva tecnica per vaso normale e monoblocco  
Technical bend for standing and close-coupled wc

CVT

TECHNICAL SHEET n°: <b>01</b>	DESIGNER: <b>ANGELETTI RUZZA</b>	CODE: <b>NUVCTTE00000</b>	Azzurra sanitari in ceramica S.p.a. via Civita Castellana snc 01030 Castel S.Elia (VT) - ITALY Tel.+39.0761 518155 Fax.+39.0761 514560	
SHEET FORMAT: <b>A4</b>	ISO	REVISION: <b>03</b>	SCALE: <b>1:20</b>	DATE: <b>28/09/2022</b>
REGULATIONS: <b>CE EN 997 / EN33 / Dop-997 *</b>				
All the measurements respect the tolerances provided by the "AZZURRA QUALITY GUIDELINES".				

