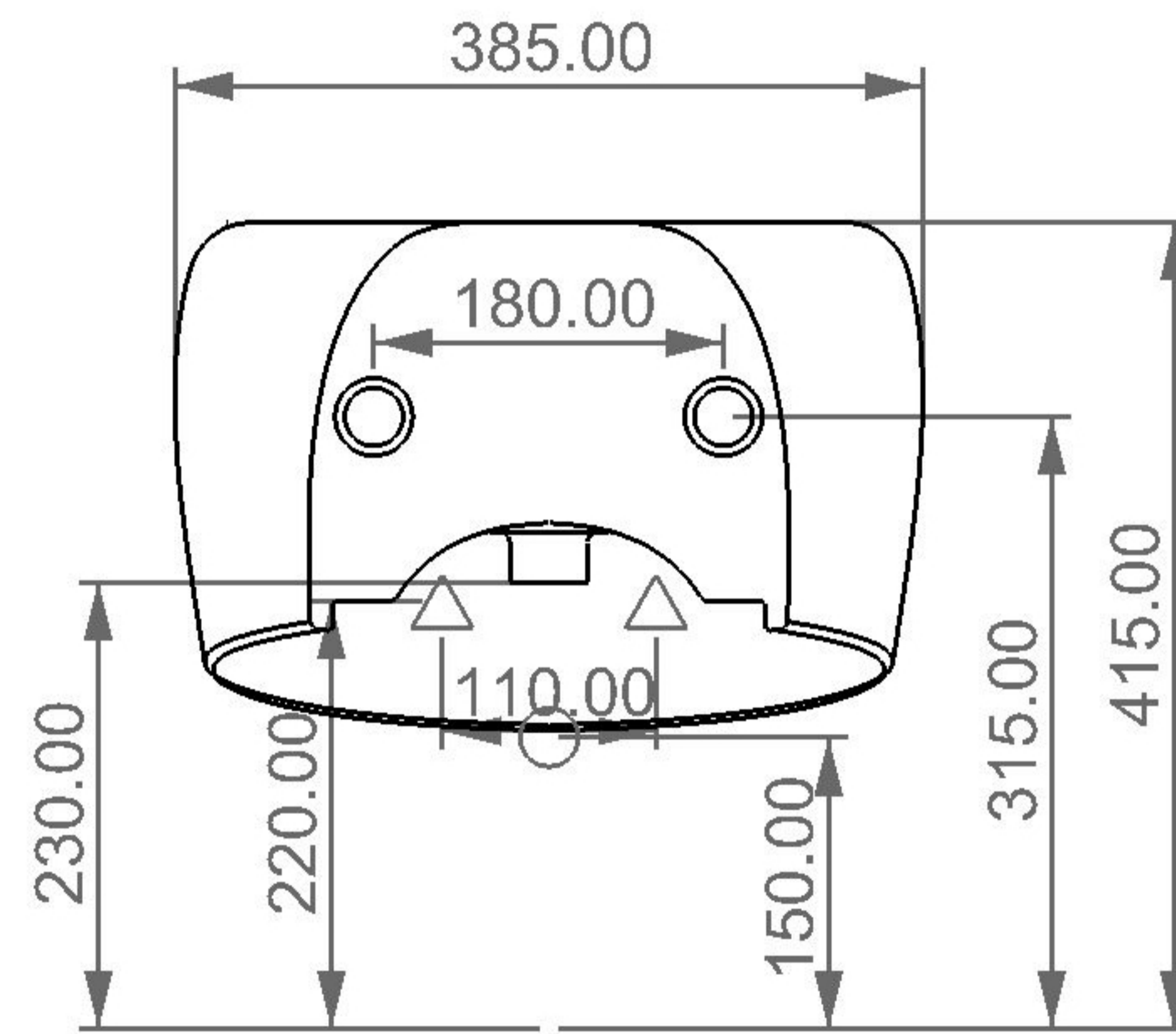
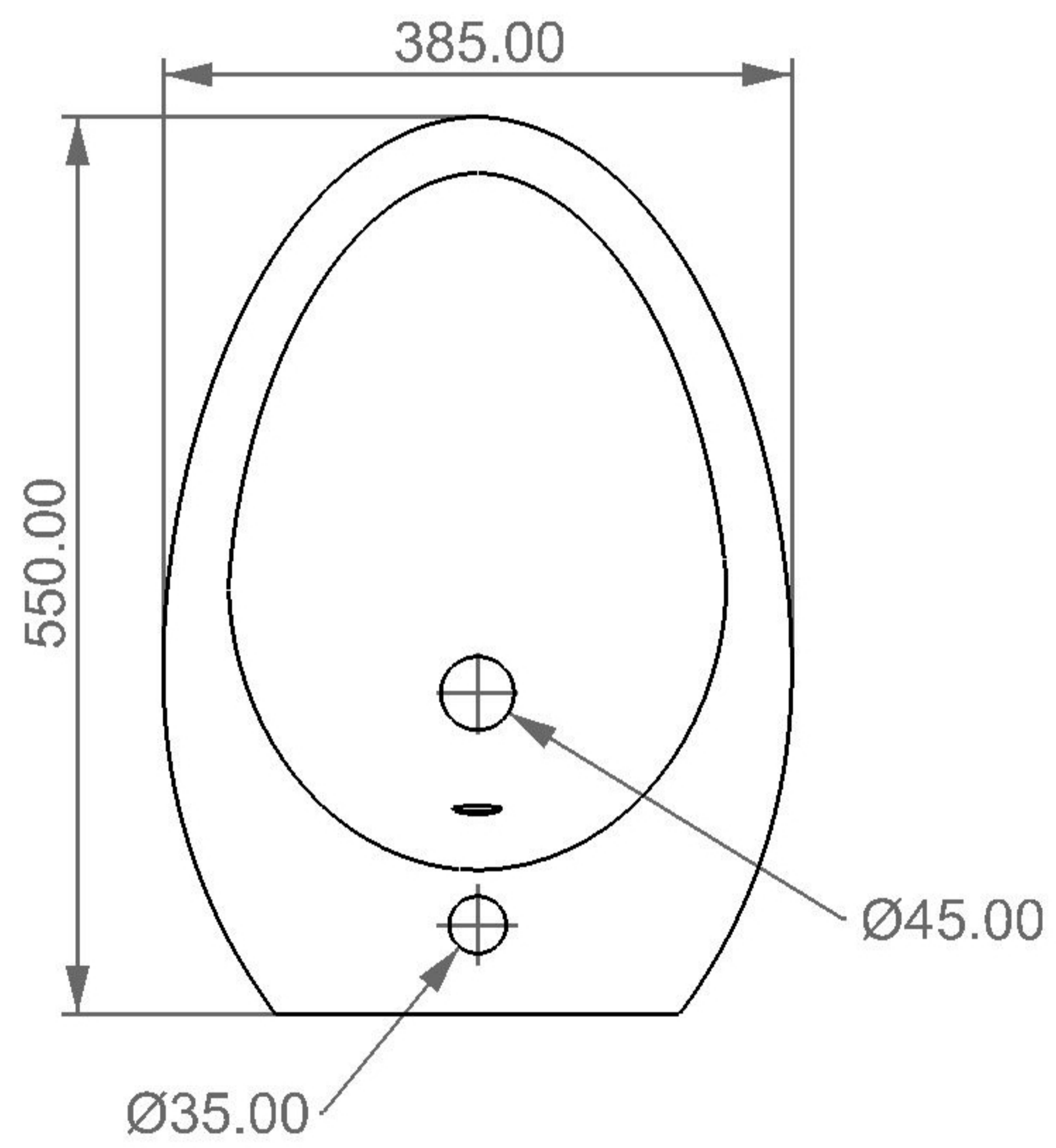
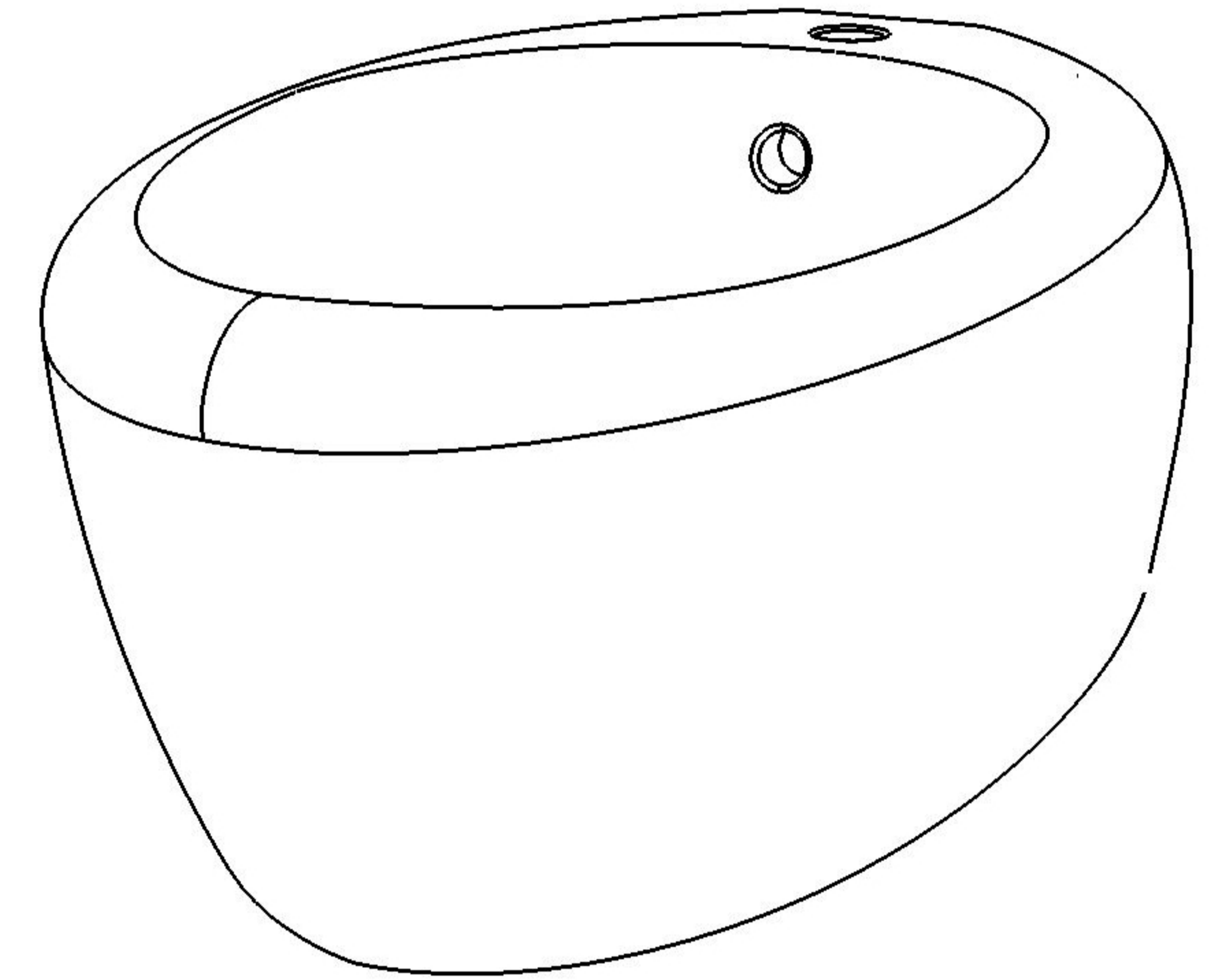


FRONT

LEFT



TOP

REAR

