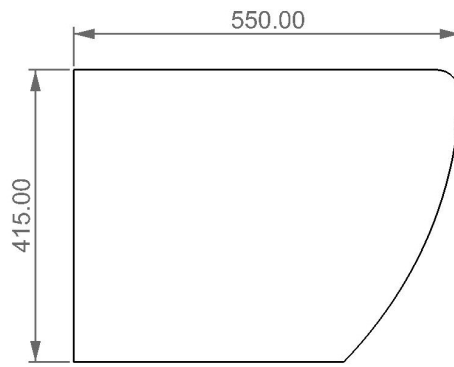
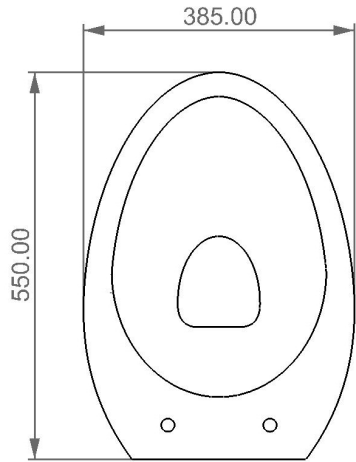


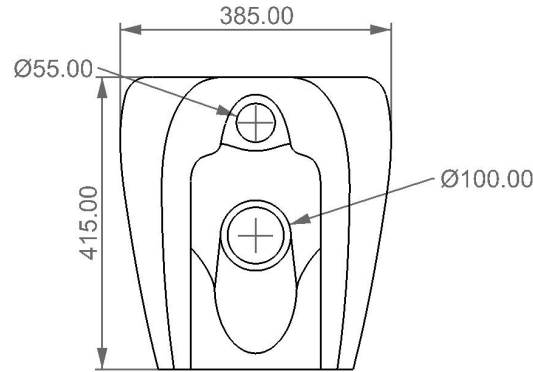
FRONT



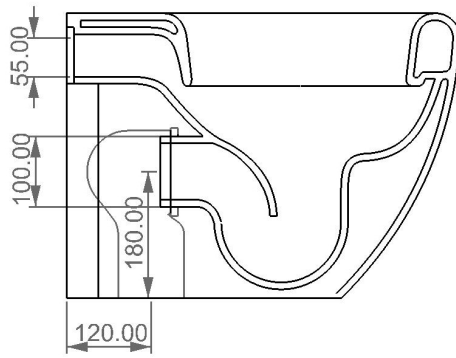
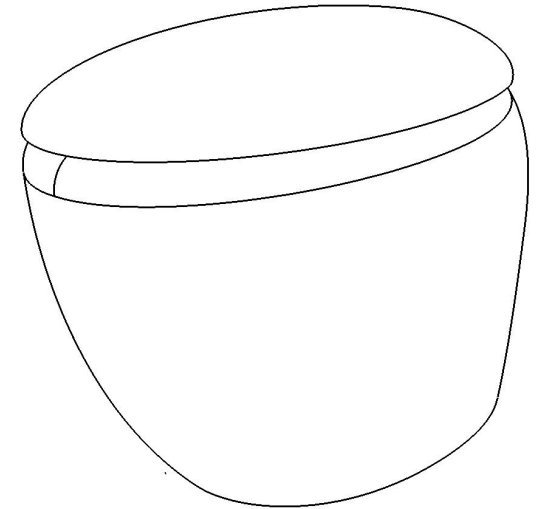
LEFT



TOP



REAR



SECTION