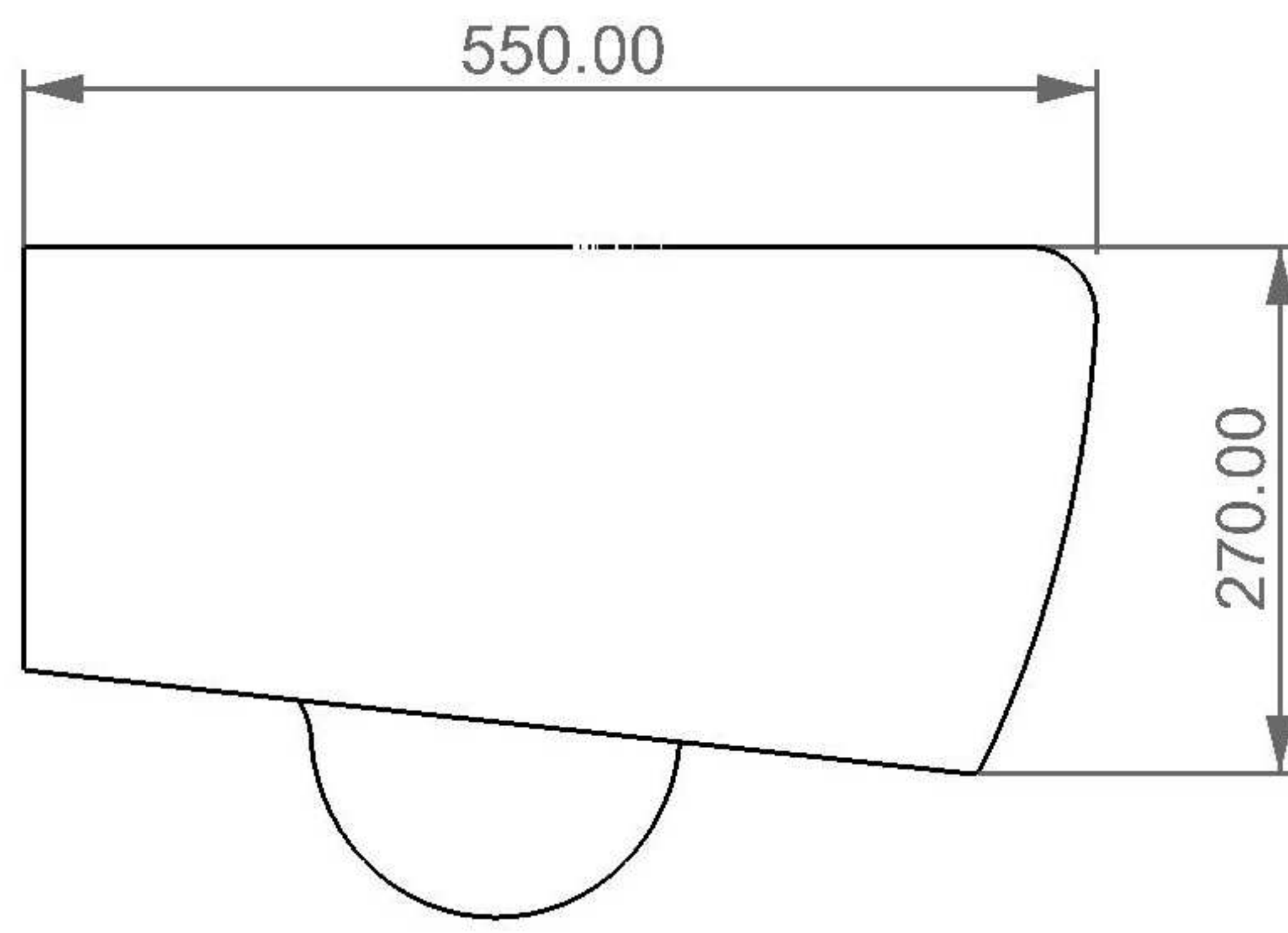
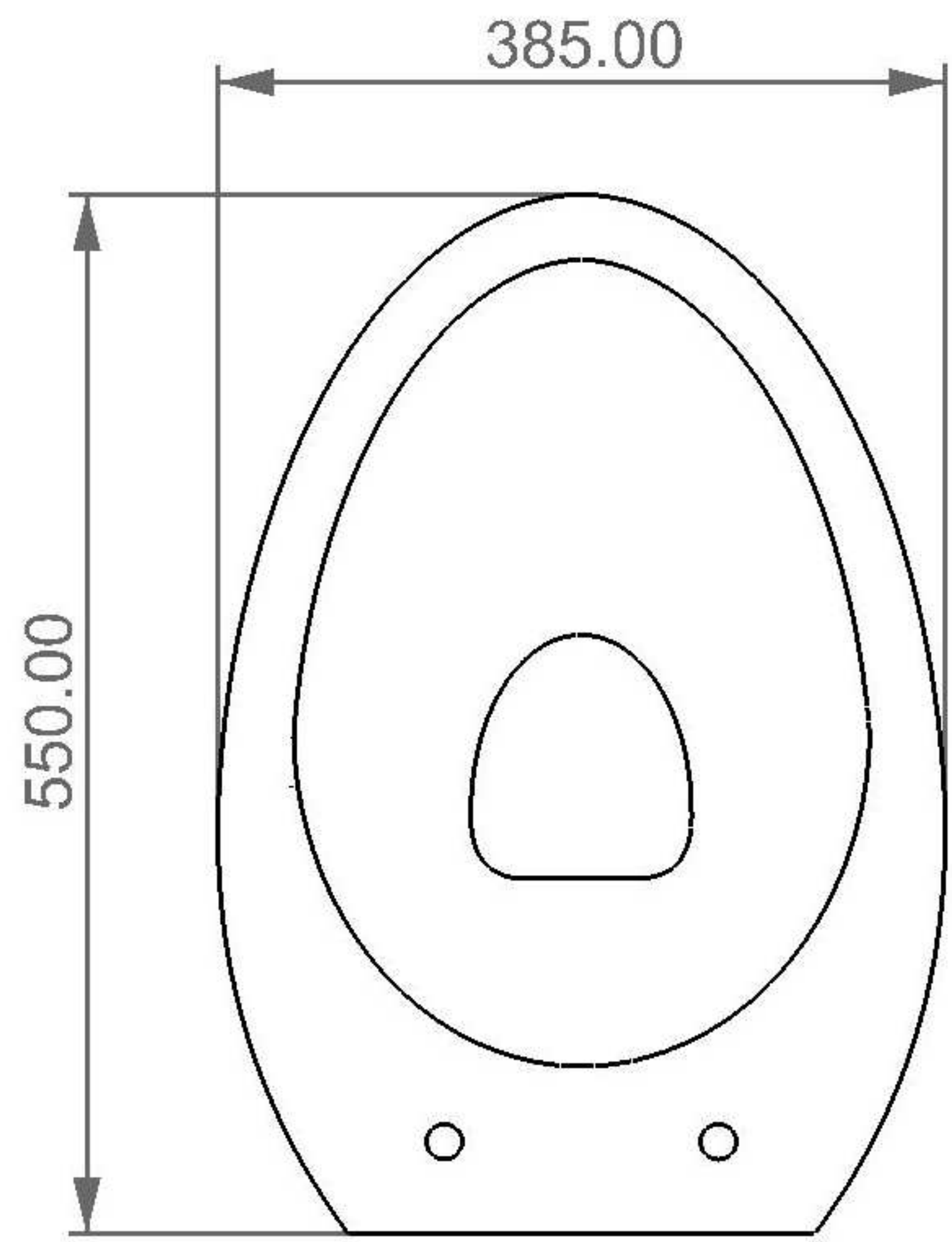


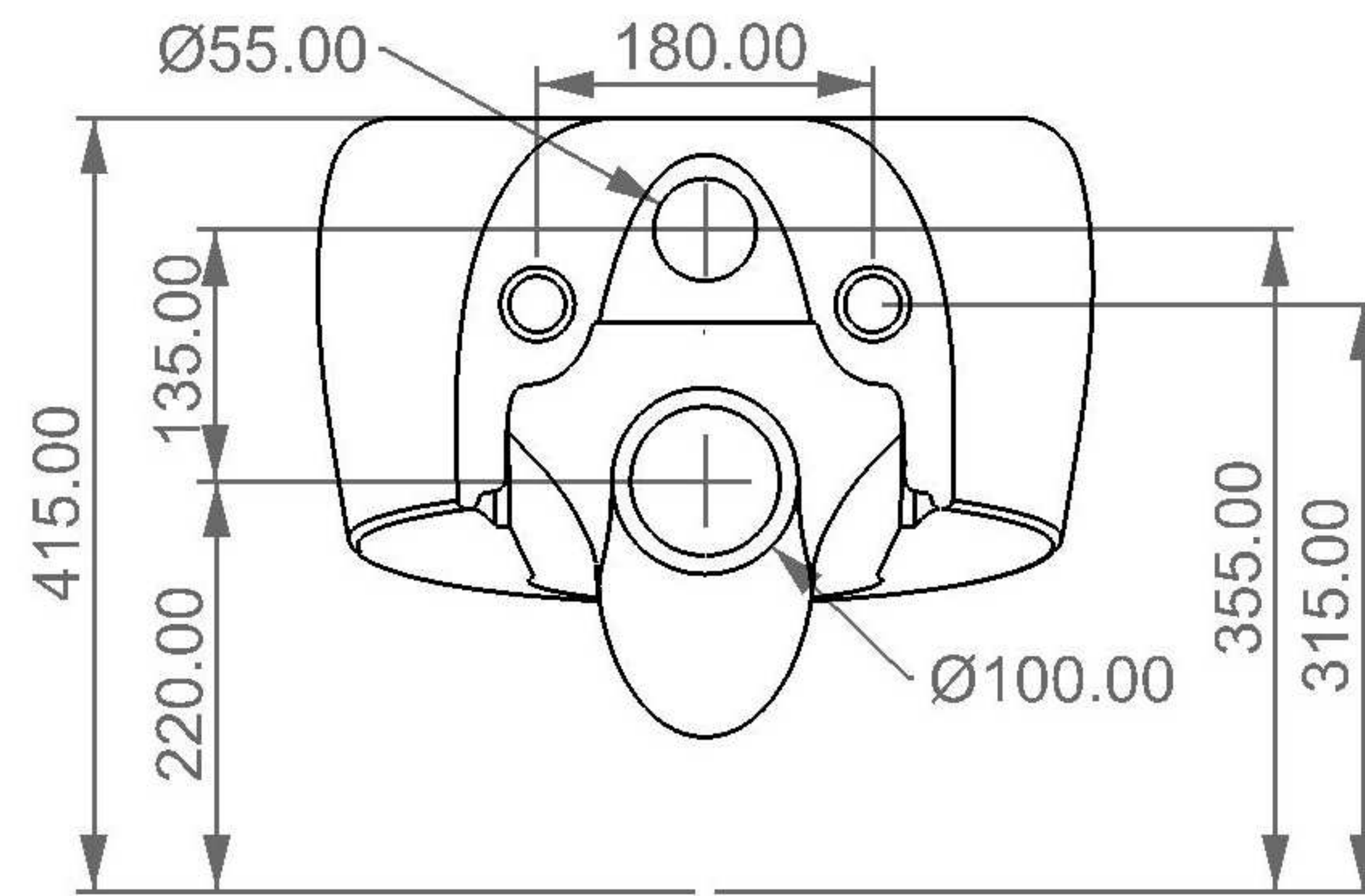
FRONT



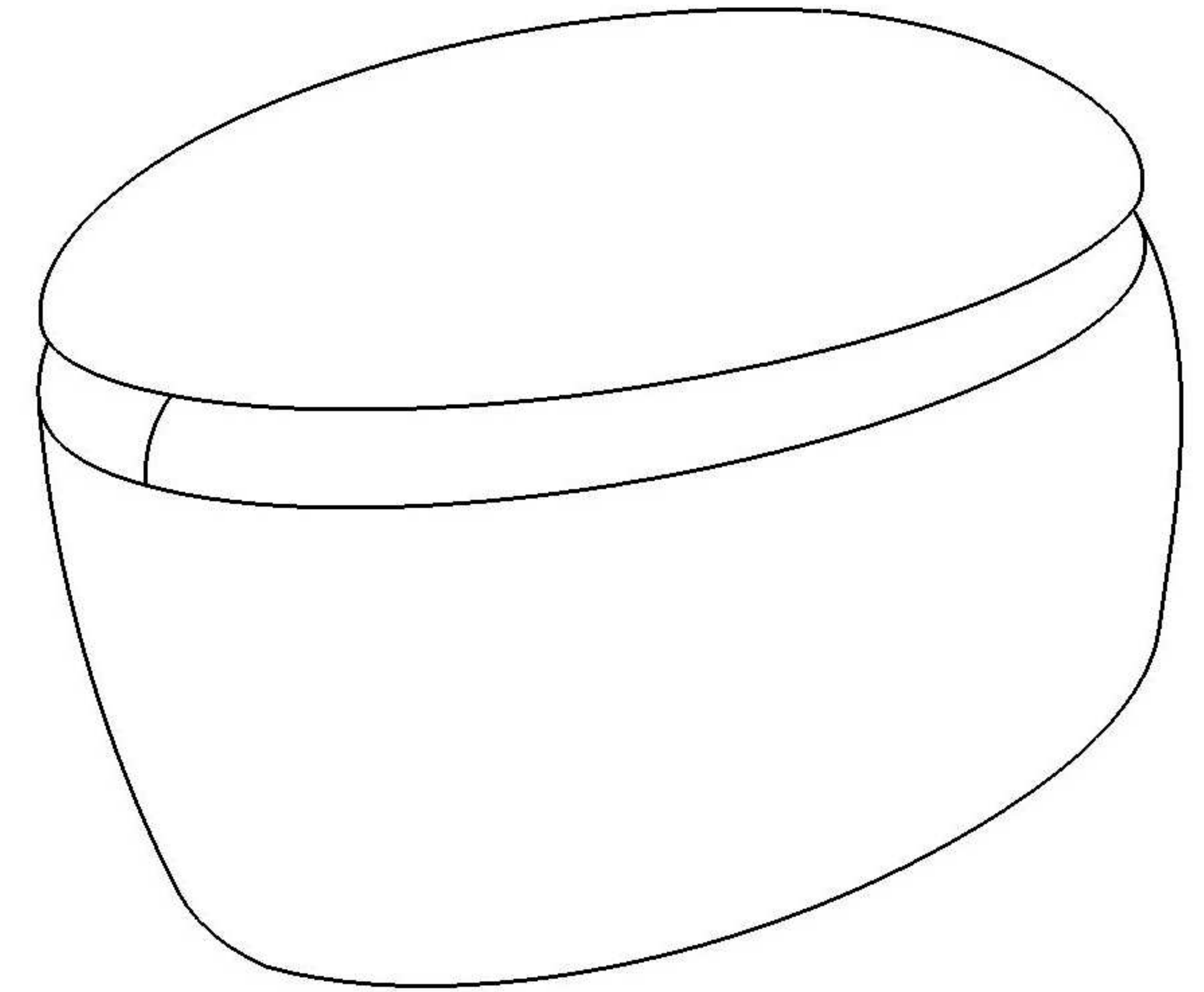
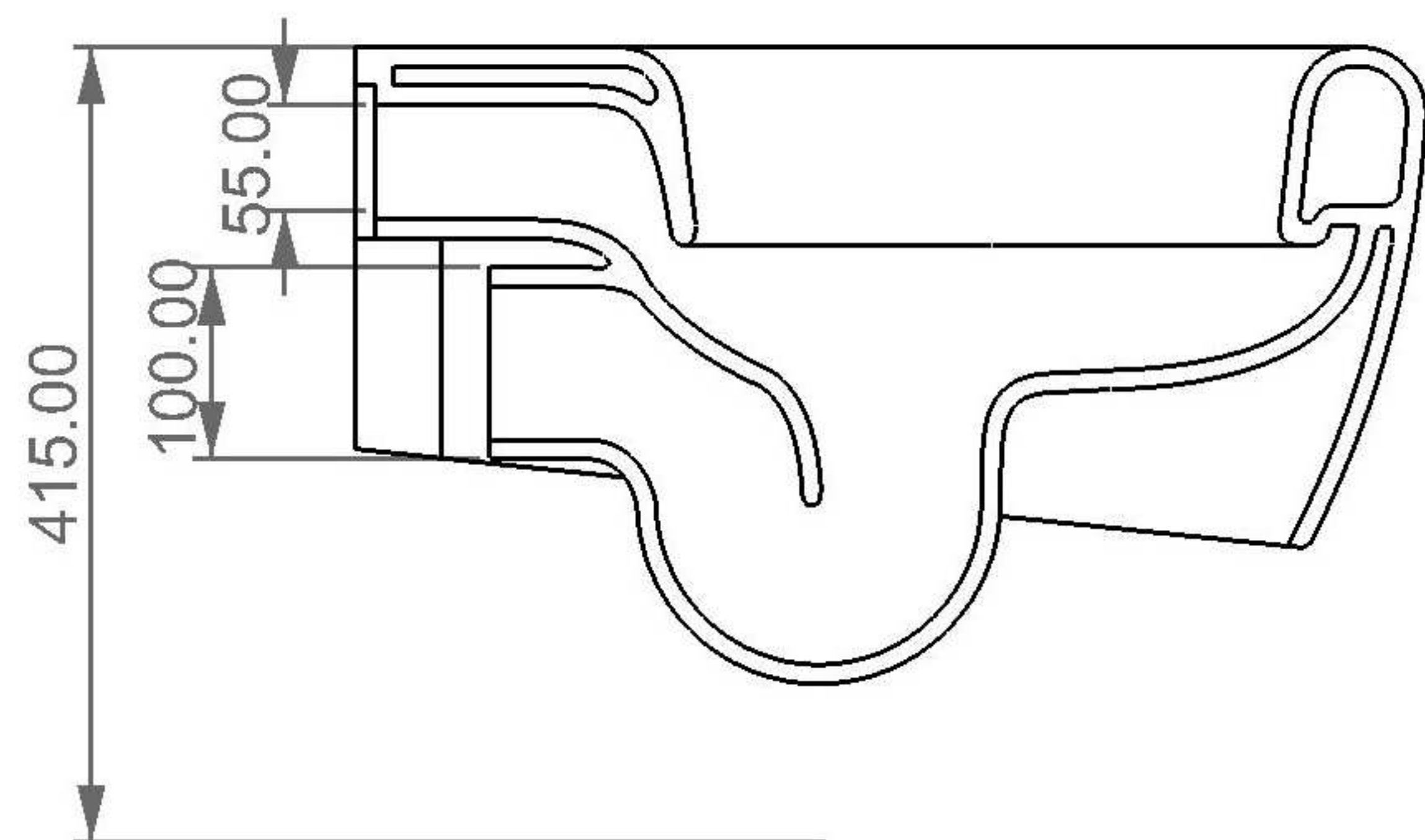
LEFT

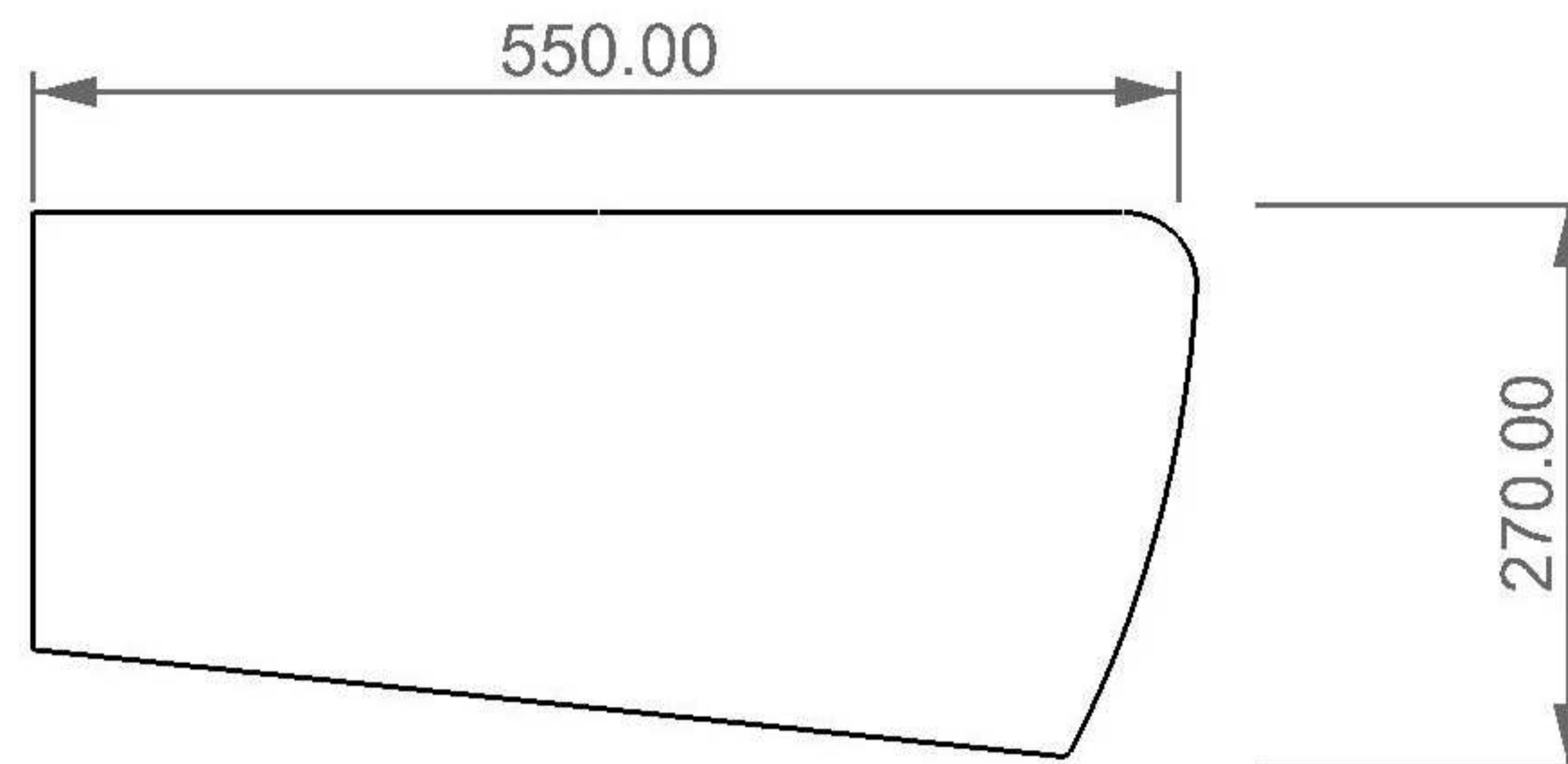
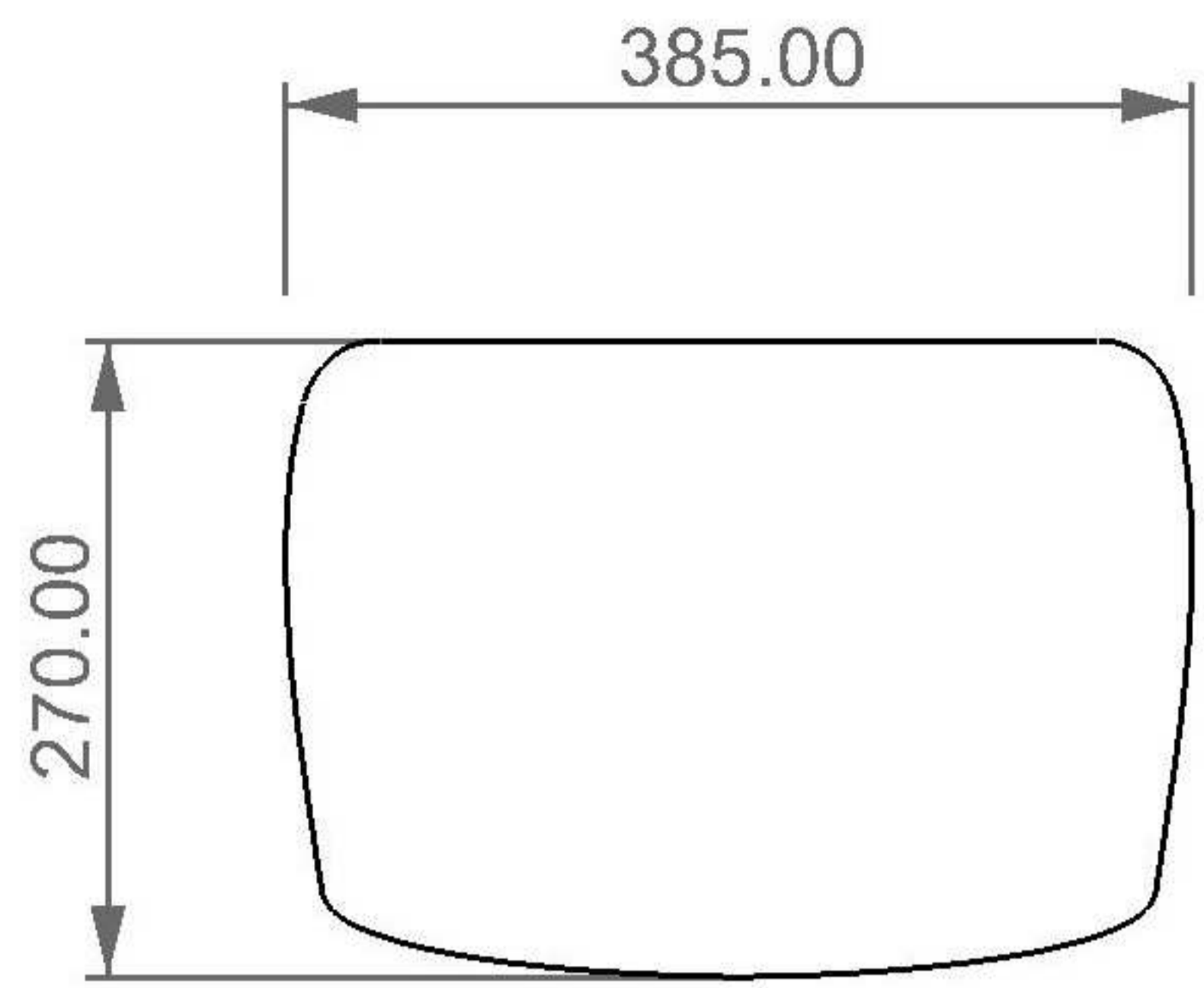


TOP



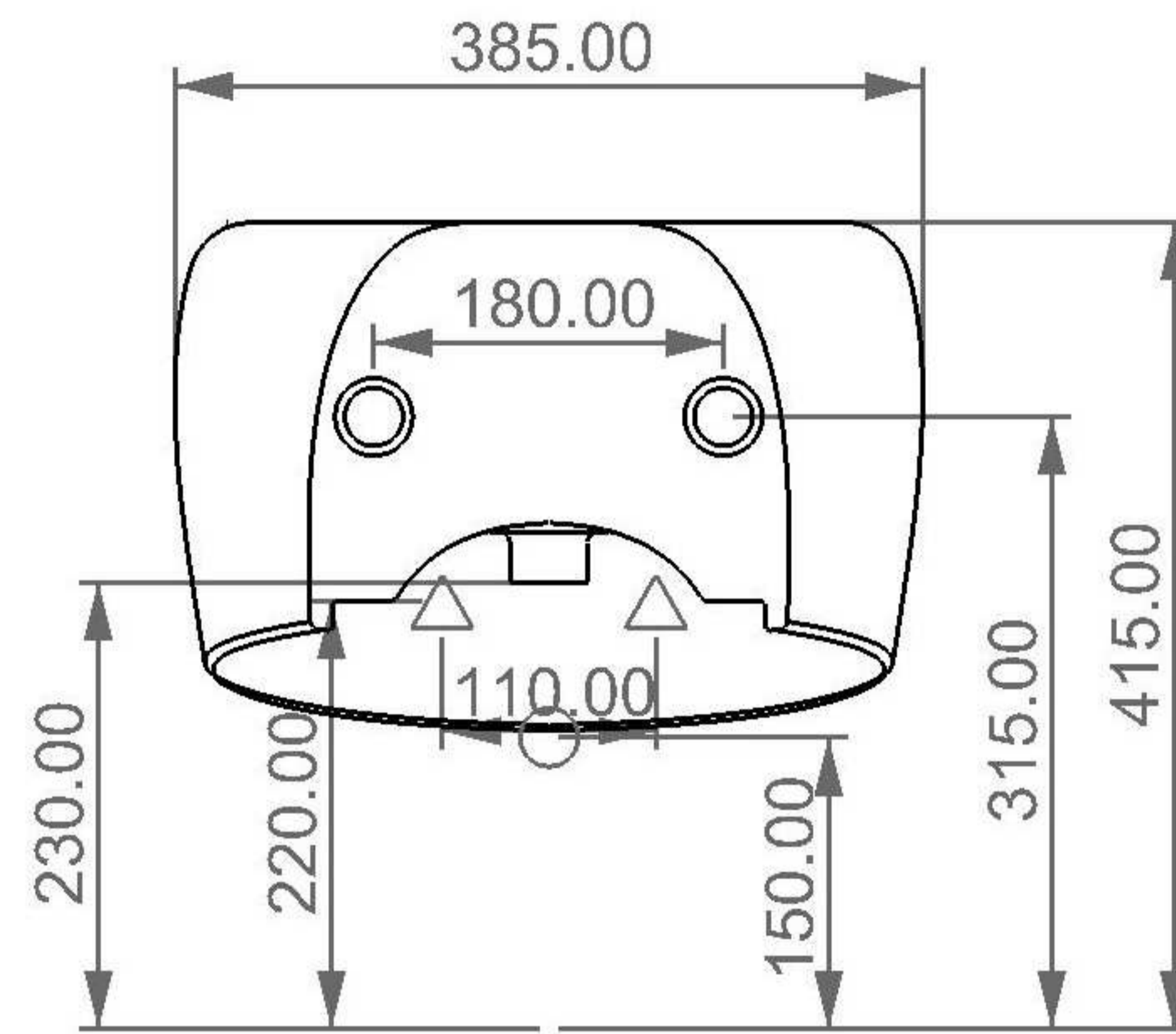
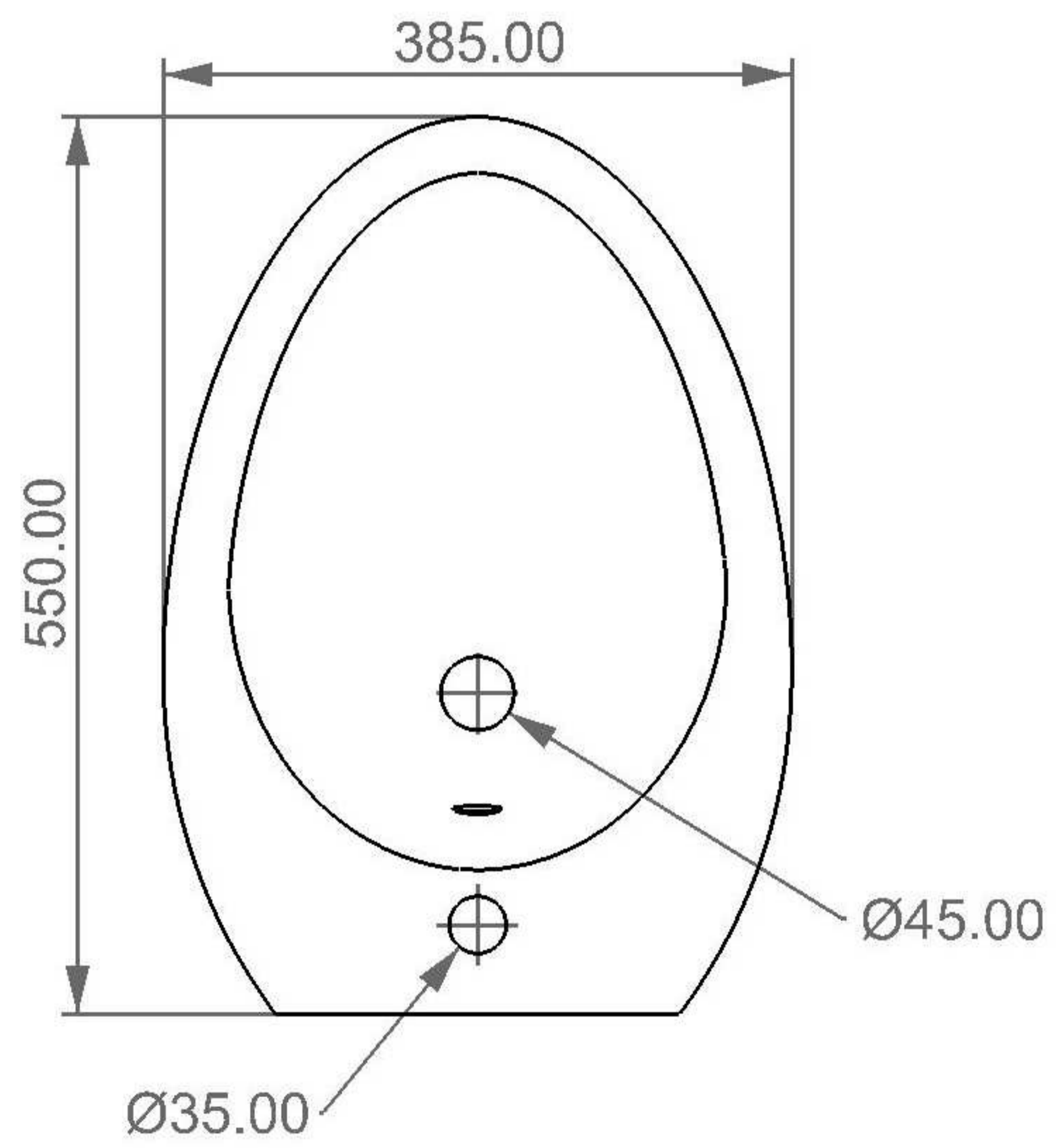
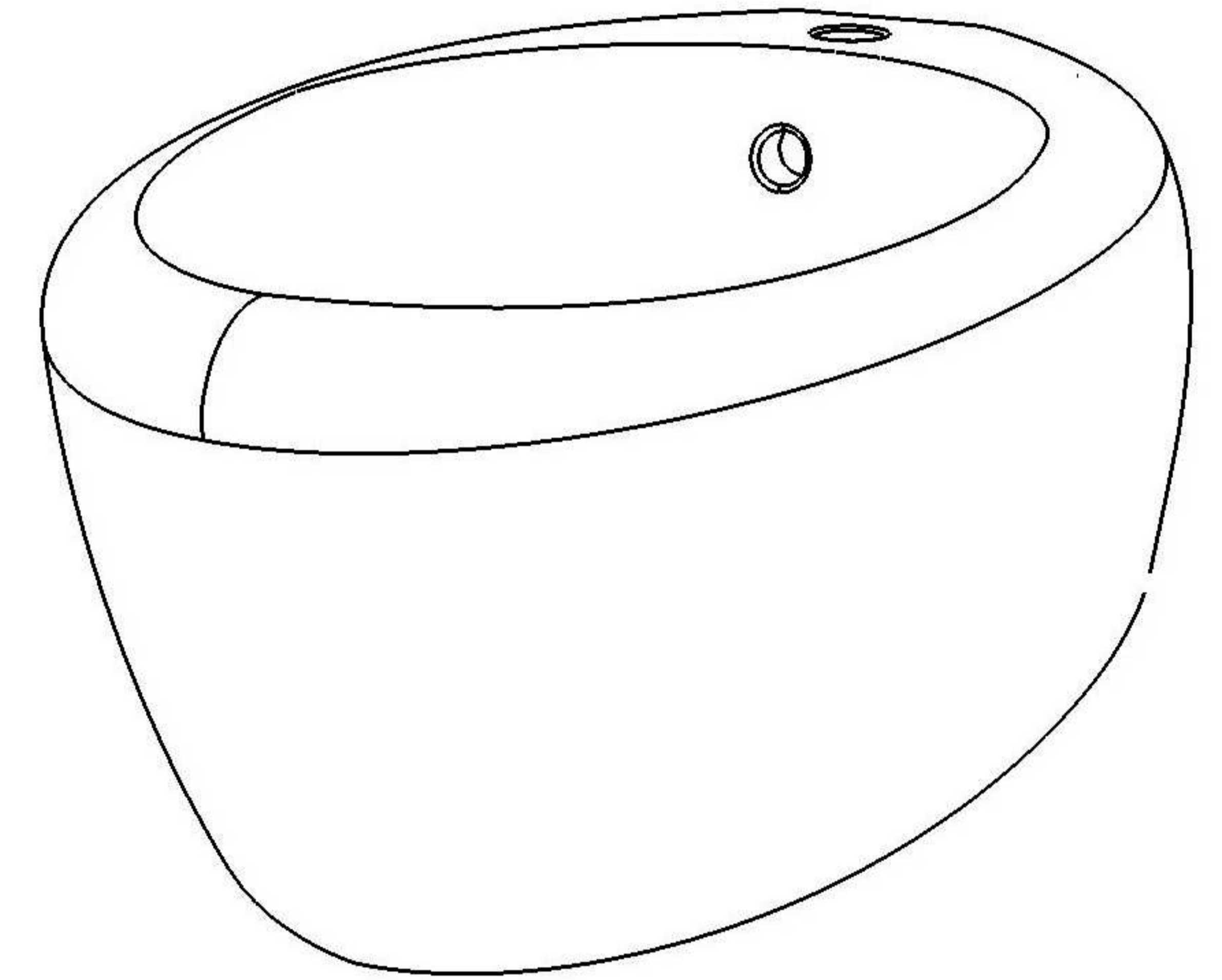
REAR





FRONT

LEFT



TOP

REAR

